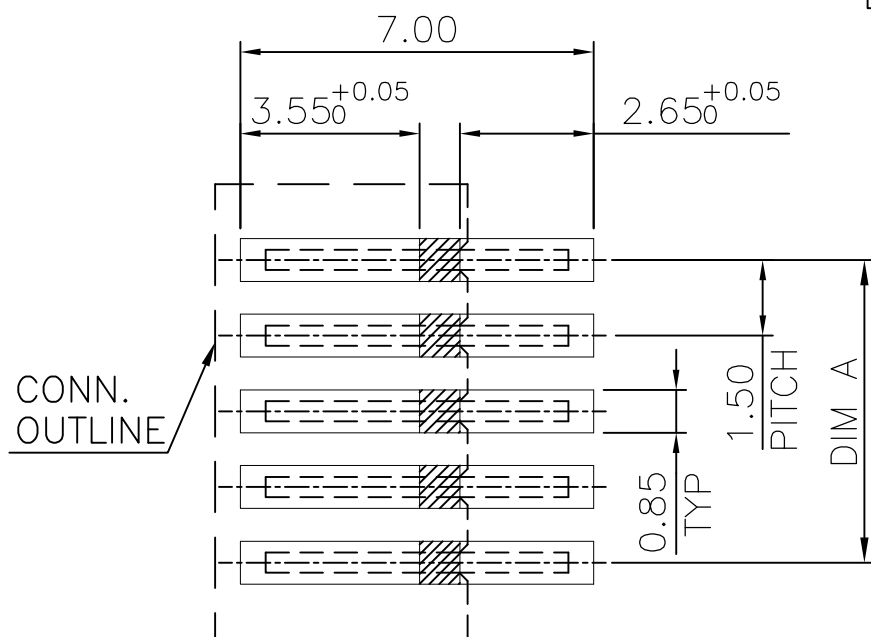
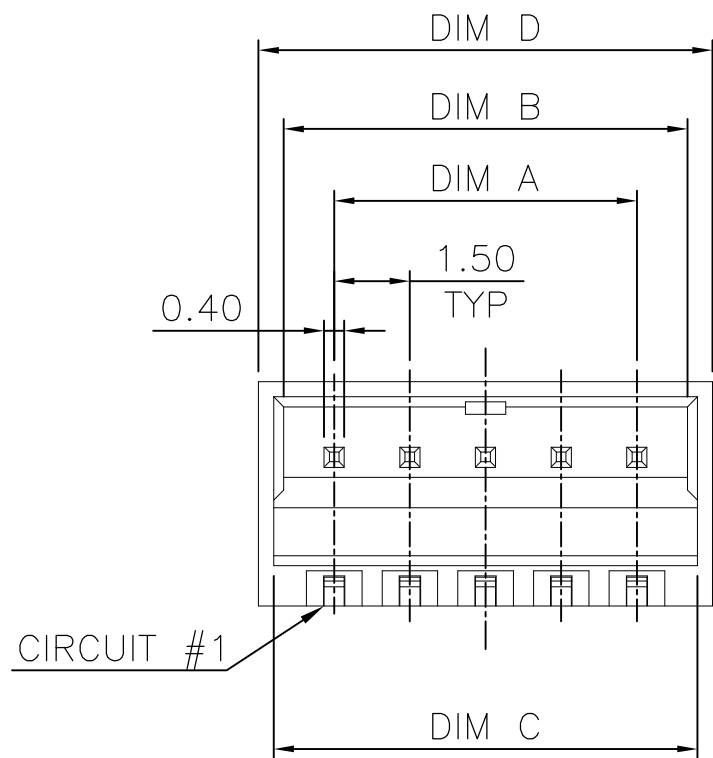


THIS DRAWING IS UNPUBLISHED. RELEASED FOR PUBLICATION
 © COPYRIGHT - BY - ALL RIGHTS RESERVED.

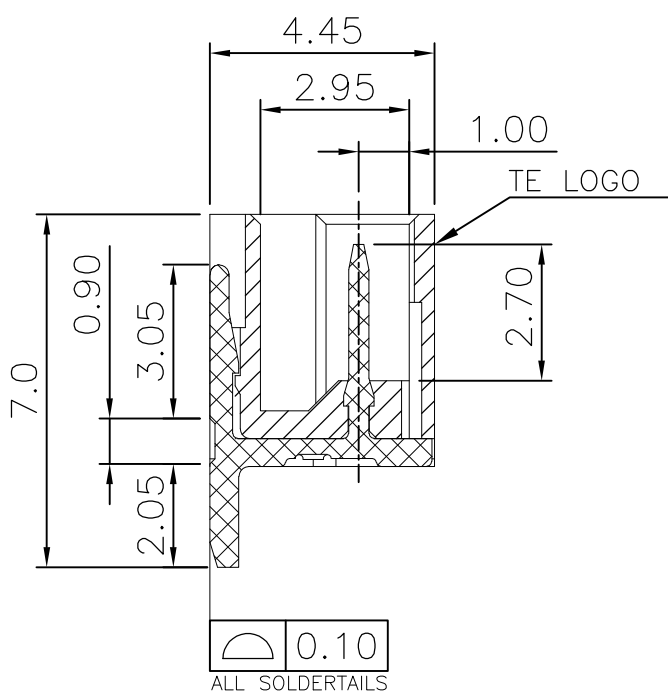
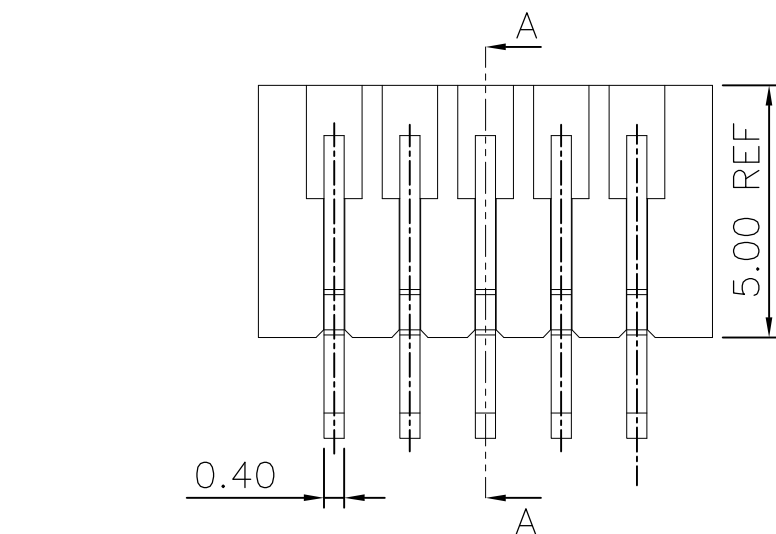
LOC	DIST	REVISIONS				
P	LTR	DESCRIPTION	DATE	DWN	APVD	
DW						
	A3	REVISED PER ECO-11-005301	07MAR11	RK	HMR	



WITHOUT SOLDER AREA
 RECOMMENDED PCB LAYOUT
 TOLERANCE: ±0.05

NOTES:

- MATERIALS:
 HOUSING: THERMOPLASTIC, UL94-V0, COLOR: NATURAL.
 TERMINAL: BRASS, THICKNESS=0.4mm.
- FINISH:
 TERMINAL: 100μ" MIN. BRIGHT TIN PLATED OVER
 50μ" MIN. NICKEL UNDERPLATED ALL OVER.
- TERMINAL RETENTION FORCE: 1.0 Kgf MIN.
- REFLOW SOLDER CAPABLE TO 260°C PER TE CONNECTIVITY SPEC 109-201, CONDITION B.



SECTION A-A

PACKAGE	DIMENSIONS					POS.	PART NUMBER
	D	C	B	A			
REEL	24.00	23.40	23.00	21.00	15	6-1775444-5	
	22.50	21.90	21.50	19.50	14	6-1775444-4	
	21.00	20.40	20.00	18.00	13	6-1775444-3	
	19.50	18.90	18.50	16.50	12	6-1775444-2	
	18.00	17.40	17.00	15.00	11	6-1775444-1	
	16.50	15.90	15.50	13.50	10	6-1775444-0	
	15.00	14.40	14.00	12.00	9	5-1775444-9	
	13.50	12.90	12.50	10.50	8	5-1775444-8	
	12.00	11.40	11.00	9.00	7	5-1775444-7	
	10.50	9.90	9.50	7.50	6	5-1775444-6	
	9.00	8.40	8.00	6.00	5	5-1775444-5	
	7.50	6.90	6.50	4.50	4	5-1775444-4	
	6.00	5.40	5.00	3.00	3	5-1775444-3	
	4.50	3.90	3.50	1.50	2	5-1775444-2	
	TUBE	24.00	23.40	23.00	21.00	15	1-1775444-5
22.50		21.90	21.50	19.50	14	1-1775444-4	
21.00		20.40	20.00	18.00	13	1-1775444-3	
19.50		18.90	18.50	16.50	12	1-1775444-2	
18.00		17.40	17.00	15.00	11	1-1775444-1	
16.50		15.90	15.50	13.50	10	1-1775444-0	
15.00		14.40	14.00	12.00	9	1775444-9	
13.50		12.90	12.50	10.50	8	1775444-8	
12.00		11.40	11.00	9.00	7	1775444-7	
10.50		9.90	9.50	7.50	6	1775444-6	
9.00		8.40	8.00	6.00	5	1775444-5	
7.50		6.90	6.50	4.50	4	1775444-4	
6.00		5.40	5.00	3.00	3	1775444-3	
4.50		3.90	3.50	1.50	2	1775444-2	

THIS DRAWING IS A CONTROLLED DOCUMENT.		DWN	J. LAI	19FEB2009							
DIMENSIONS: MM		CHK	S. CHIEN	19FEB2009							
TOLERANCES UNLESS OTHERWISE SPECIFIED:		APVD	W. KODAMA	19FEB2009	NAME EMIX CONN., 1.5mm PITCH HDR, RIGHT ANGLE						
0 PLC ± - 1 PLC ± 0.25 2 PLC ± 0.15 3 PLC ± 0.10 4 PLC ± - ANGLES ± -		PRODUCT SPEC		108-57631							
MATERIAL SEE NOTE		QUALIFICATION TEST REPORT		501-57736							
FINISH SEE NOTE		WEIGHT	- GRAMS	SIZE	A3	CAGE CODE	00779	DRAWING NO	C=1775444	RESTRICTED TO	-
CUSTOMER DRAWING				SCALE	-	SHEET	1 OF 3	REV	A3		

THIS DRAWING IS UNPUBLISHED.

RELEASED FOR PUBLICATION

-. - .

LOC

DIST

REVISIONS

© COPYRIGHT - BY -

ALL RIGHTS RESERVED.

DW

P

LTR

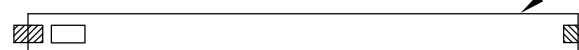
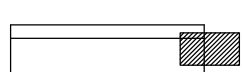
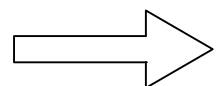
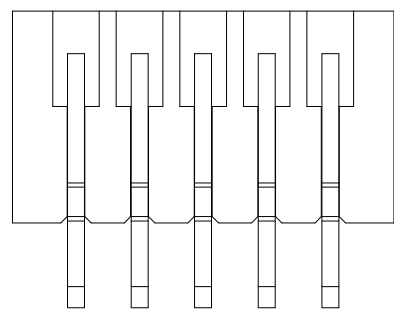
DESCRIPTION

DATE

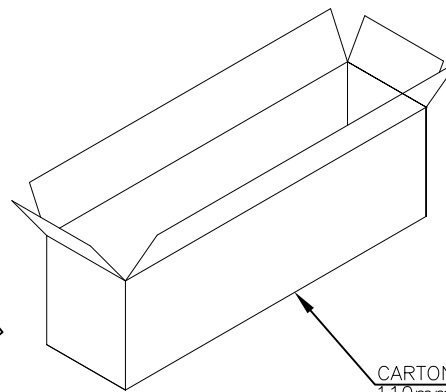
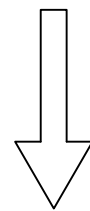
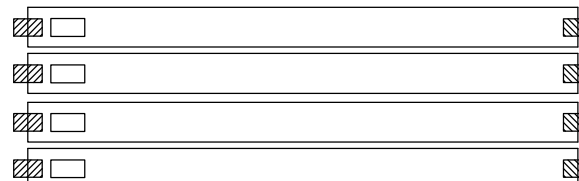
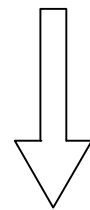
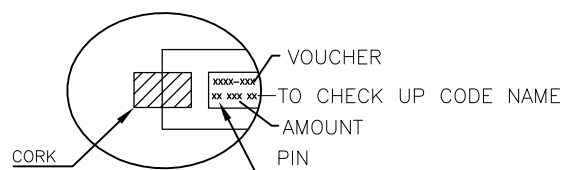
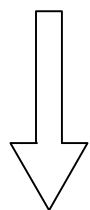
DWN

APVD

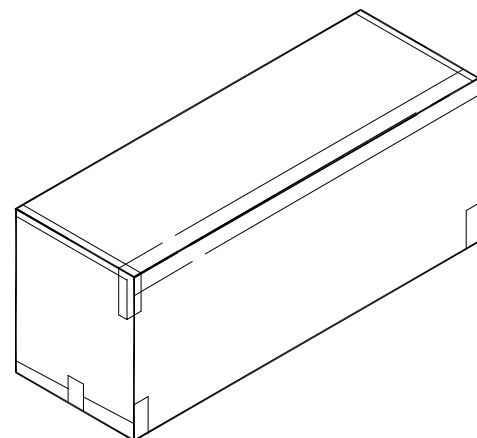
SEE SHEET 1.



TUBE
600mm(L)*8.2mm(W)*9.4mm(H)


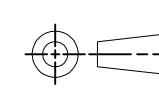


CARTON
110mm(L)*100mm(W)*615mm(H)



20	100	2000	15	1-1775444-5
25	100	2500	14	1-1775444-4
25	100	2500	13	1-1775444-3
25	100	2500	12	1-1775444-2
30	100	3000	11	1-1775444-1
35	100	3500	10	1-1775444-0
35	100	3500	9	1775444-9
40	100	4000	8	1775444-8
45	100	4500	7	1775444-7
55	100	5500	6	1775444-6
60	100	6000	5	1775444-5
75	100	7500	4	1775444-4
95	100	9500	3	1775444-3
125	100	12500	2	1775444-2

PCS/TUBE	TUBES/CARTON	QUANTITY (PCS)	POS.	PART NUMBER
----------	--------------	----------------	------	-------------

THIS DRAWING IS A CONTROLLED DOCUMENT.		DWN	 TE Connectivity EMIX CONN., 1.5mm PITCH HDR, RIGHT ANGLE				
DIMENSIONS: MM		CHK				NAME	
		APVD				SIZE	
TOLERANCES UNLESS OTHERWISE SPECIFIED: 0 PLC ± - 1 PLC ± - 2 PLC ± - 3 PLC ± - 4 PLC ± - ANGLES ± -		PRODUCT SPEC				CAGE CODE	
MATERIAL		APPLICATION SPEC	DRAWING NO		RESTRICTED TO		
FINISH		WEIGHT	A3 00779		©=1775444		
CUSTOMER DRAWING			SCALE	SHEET	REV		
			-	2 OF 3	A3		

THIS DRAWING IS UNPUBLISHED.

RELEASED FOR PUBLICATION

-. - .

© COPYRIGHT - BY -

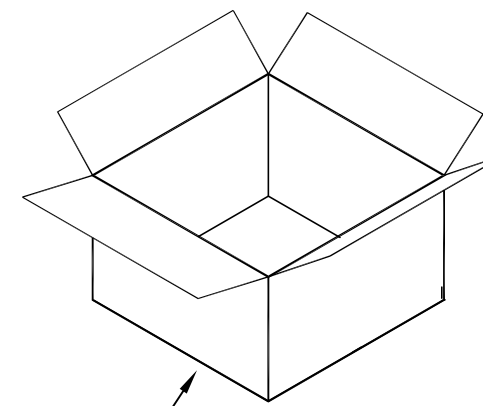
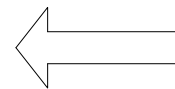
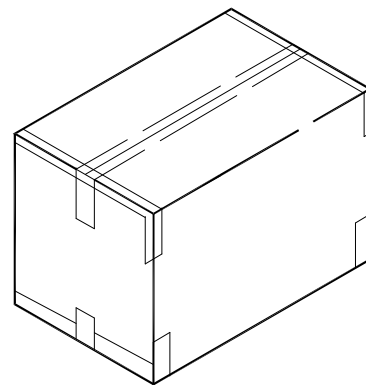
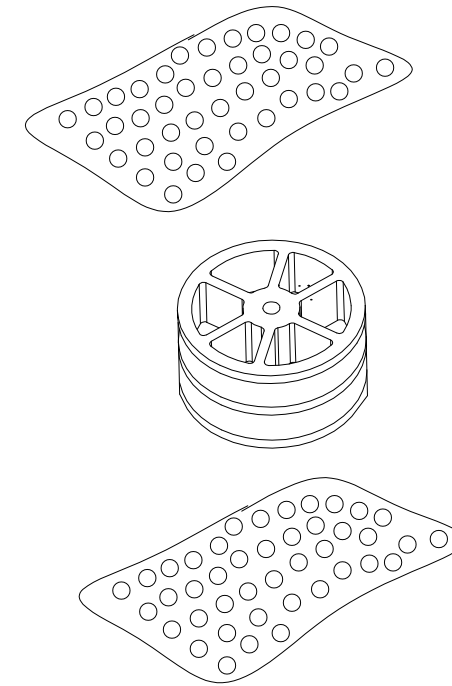
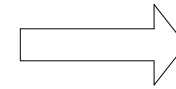
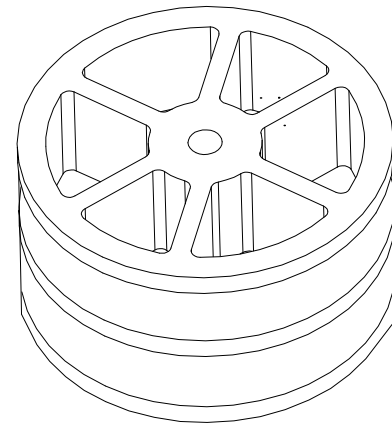
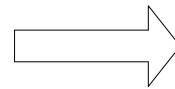
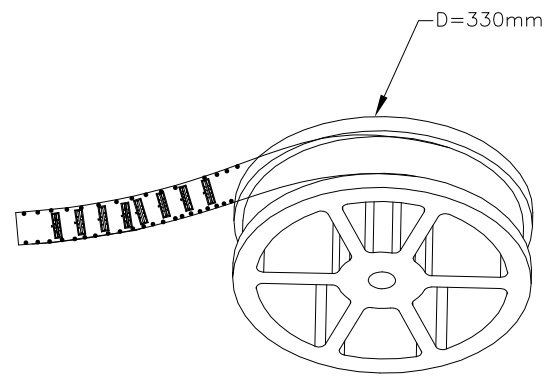
ALL RIGHTS RESERVED.

LOC
DW

DIST
/

REVISIONS

P	LTR	DESCRIPTION	DATE	DWN	APVD
-	-	SEE SHEET 1.	-	-	-



CARTON
335mm(L)*335mm(W)*480mm(H)

1000	4	4000	15	6-1775444-5
1000	4	4000	14	6-1775444-4
1000	4	4000	13	6-1775444-3
1000	4	4000	12	6-1775444-2
1000	4	4000	11	6-1775444-1
1000	4	4000	10	6-1775444-0
1000	6	6000	9	5-1775444-9
1000	6	6000	8	5-1775444-8
1000	6	6000	7	5-1775444-7
1000	6	6000	6	5-1775444-6
1000	6	6000	5	5-1775444-5
1000	9	9000	4	5-1775444-4
1000	9	9000	3	5-1775444-3
1000	9	9000	2	5-1775444-2

PCS/ REEL	REELS/ CARTON	QUANTITY (PCS)	POS.	PART NUMBER
-----------	---------------	----------------	------	-------------

THIS DRAWING IS A CONTROLLED DOCUMENT.

DIMENSIONS: MM		TOLERANCES UNLESS OTHERWISE SPECIFIED:	
		0 PLC ± -	
		1 PLC ± -	
		2 PLC ± -	
		3 PLC ± -	
		4 PLC ± -	
		ANGLES ± -	
MATERIAL		FINISH	

DWN
CHK
APVD
PRODUCT SPEC
APPLICATION SPEC
WEIGHT
CUSTOMER DRAWING

STE TE Connectivity

NAME
EMIX CONN., 1.5mm PITCH HDR, RIGHT ANGLE

SIZE	CAGE CODE	DRAWING NO	RESTRICTED TO
A3	00779	C=1775444	-

SCALE: - SHEET: 3 OF 3 REV: A3